

demi™ grow



nuna®

Designed
around your life

nuna®

IMPORTANT!
KEEP THESE
INSTRUCTIONS FOR
FUTURE REFERENCE:
READ CAREFULLY

Contents

Product Information

Warranty	4
Contact	4

Child Usage Requirements

5

Warnings

6

Parts List

10

Product Set Up

12

Product Use

18

Seating Options

26

Accessoires

30

DEMI grow Stroller/Sibling Seat	30
---------------------------------	----

DEMI grow Stroller/Sibling Seat Rain Cover	30
--	----

DEMI grow Bassinet	32
--------------------	----

DEMI grow Car Seat Post Adaptors	34
----------------------------------	----

DEMI grow Seat & Bassinet Post Adaptors	36
---	----

Cleaning and Maintenance

40

Product Information

Model Number: _____

Manufactured in (date): _____

The model number and the manufactured in date are located on a label on the stroller frame.

Warranty

We have purposely designed our high-quality products so that they can grow with both your child and your family. Because we stand by our product, our gear is covered by a custom warranty per product, starting from the day it was purchased. Please have the proof of purchase, model number and manufactured in date available when you contact us.

For warranty information please visit:

www.nunababy.com/warranty

Contact

For replacement parts, service, or additional warranty questions, please contact our customer service department.

APB Pty. Ltd.

82 Bellingara Road

Miranda NSW 2228

Australia Ph: 02 8543 5570

Distributed in Australia by

Baby Bunting Pty. Ltd.

955 Taylors Road

Dandenong South Vic 3175

Child Usage Requirements

This stroller/sibling seat is suitable for use with children who meet the following requirements:

Weight: up to 22.7 kg maximum

Height: 114.3 cm

When using the stroller frame with the KLIK plus infant carrier, refer to the child usage requirements listed in its instruction manual.

WARNING

TO AVOID INJURY OR DEATH: ALWAYS APPLY THE BRAKES WHENEVER THE PRAM/STROLLER IS STATIONARY.

DO NOT LEAVE CHILDREN UNATTENDED. ALWAYS KEEP CHILD IN VIEW WHILE IN PRAM/STROLLER.

SECURE THE CHILD IN THE HARNESS AT ALL TIMES.

USE THIS HARNESS AT ALL TIMES.

ALWAYS USE THE CROTCH COMBINATION WITH THE WAIST BELT. IT IS SUGGESTED THAT THE SHOULDER HARNESSES BE USED AS WELL.

DO NOT CARRY EXTRA CHILDREN OR BAGS ON THIS PRAM/STROLLER.

DO NOT USE THIS BASSINET ONCE THE CHILD CAN SIT UP UNAIDED. MAXIMUM WEIGHT OF THE CHILD: 9KG.

DO NOT USE THIS SEAT WITH ANY OTHER MODELS OF PRAM/STROLLER.

MAKE SURE CHILDREN ARE CLEAR OF ANY MOVING PARTS IF YOU ADJUST THE PRAM/STROLLER.

TO AVOID SERIOUS INJURY FROM FALLING OR SLIDING OUT, ALWAYS USE SEAT BELT.

USE THIS TETHER STRAP TO STOP THE PRAM/STROLLER ROLLING AWAY.

Ensure that all the locking devices are engaged before use.

Do not let your child play with this product.

Never leave the harness buckled when not fitted to a child in the pram/stroller because the harness can form loops which may pose a strangulation hazard.

It is unsafe to use accessories other than those approved by the vehicle manufacturer.

Adult assembly required.

Each stroller/sibling seat is intended for children up to 22.7 kg maximum or a height of 114.3 cm.

To prevent a hazardous, unstable condition, do not place more than 4.5 kg in the storage basket before use.

Use of the stroller with more than 49.9 kg will cause excessive wear and stress on the stroller. 49.9 kg = 22.7 kg stroller/sibling seat maximum + 22.7 kg stroller/sibling seat maximum + 4.5 kg storage basket maximum.

Overloading, folding incorrectly, or using component parts from other manufacturers may cause the pram/stroller to be damaged, broken or unsafe. Please read the instruction manual carefully.

Please read all the instructions in the manual before using the product. Please save instruction manual for future use. Failure to follow these warnings and instructions may result in serious injury or death.

Safety belts and restraint system must be used correctly.

Child may slip into leg openings and be strangled if the harness is not used.

Never use pram/stroller on stairs or escalators.

The pram/stroller not be used near an open fire or exposed flame.

Never allow your child to stand on the pram/stroller or sit in the stroller with head toward front of it.

Never place the pram/stroller on roads or dangerous area.

The pram/stroller is designed for use on flat or gently sloping surfaces and may be unstable on higher sloping and uneven surfaces, and users should be made aware of the possibility of the pram/stroller tipping over.

Do make sure all parts are assembled and fastened properly before using the pram/stroller.

To avoid strangulation, do not place items with a string around your child's neck, suspend strings from this product, or attach strings to toys.

To prevent tipping, do not put anything on the handle. Always lift the child in and out of the pram/stroller.

Do not lift pram/stroller while child is in it.

Do not use storage basket as a child carrier.

To prevent tipping, never let child climb the pram/stroller.

To avoid finger entrapment or injury to the body, use care when folding and unfolding the stroller.

Be sure the pram/stroller is fully open or folded before allowing child near the pram/stroller.

To ensure your child's safety, please make sure all parts are assembled and fastened properly before using the pram/stroller.

Check that the infant child restraint attachment device is correctly engaged before use.

To avoid strangulation, do make sure your child is clear from the canopy.

Canopy should be assembled onto the frame when the seat is in the most reclined position.

Discontinue using your pram/stroller if it is damaged or broken.

Pram/stroller to be used only at walking speed. This product is not intended for use while jogging.

To avoid suffocation, remove plastic bag and packaging materials before using this product. The plastic bag and packaging materials should then be kept away from babies and children.

This product is not suitable for running or skating.

Stroller designed to be used from birth shall recommend the use of the most reclined position for new born babies.

The parking device must be engaged when placing and removing children.

Please ensure that the storage latch has been properly locked, before lifting or moving the pram/stroller.

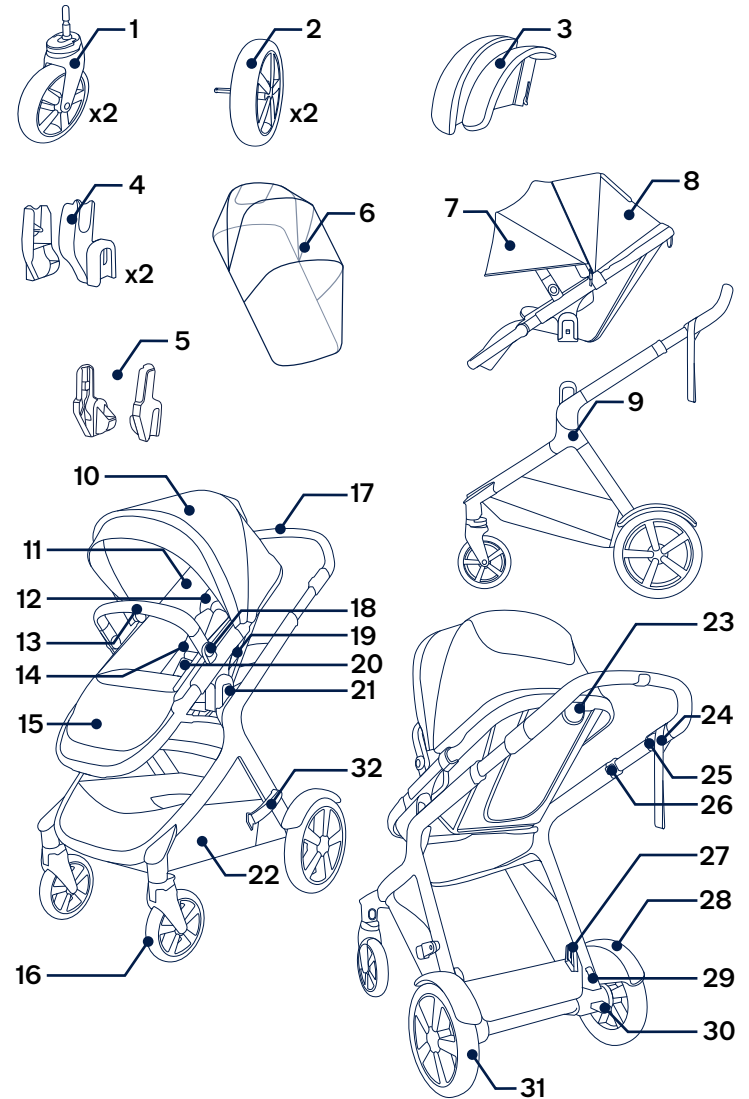
Do not use or add any mattress other than the one supplied with the bassinet.

Parts List

Make sure all parts are available before assembly.
If any part is missing, please contact NUNA (see page 4 for information). No tools are required for assembly.

! **CHOKING HAZARD:** Remove and immediately discard protective end caps from each wheel and wheel hub axle.

- | | |
|---------------------------------|--|
| 1 Front Wheel (x2) | 18 Arm Bar Adjustment Button |
| 2 Rear Wheel (x2) | 19 Seat Release Button |
| 3 Rear Fender | 20 Buckle and Crotch Cover |
| 4 Car Seat Post Adaptor (x2) | 21 Upper Seat Mount |
| 5 Seat & Bassinet Post Adaptors | 22 Storage Basket |
| 6 Rain Cover | 23 Recline Adjustment Button |
| 7 Dream Drape™ | 24 Tether Strap |
| 8 Stroller/Sibling Seat | 25 Handle Adjustment Button |
| 9 Stroller Frame | 26 Folding Button |
| 10 Canopy | 27 Lower Seat Mount |
| 11 Seat Pad | 28 Rear Fender |
| 12 Head Support | 29 Custom Dual Suspension™ Adjustment Lever (x2) |
| 13 Arm Bar | 30 Brake Lever |
| 14 Shoulder Harness Pads | 31 Rear Wheel |
| 15 Calf Support | 32 Storage Latch |
| 16 Front Wheel | |
| 17 Stroller Handle | |



Product Set Up

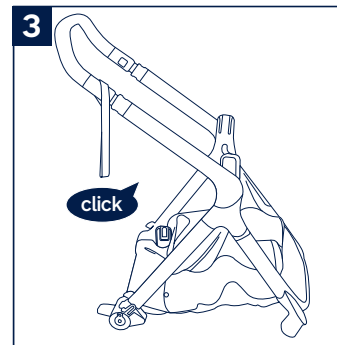
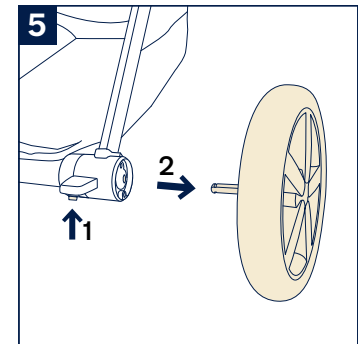
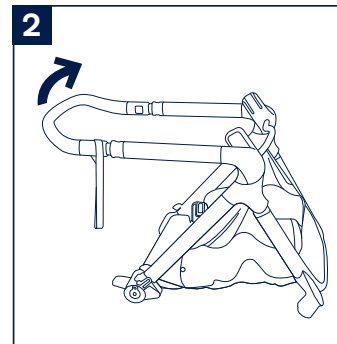
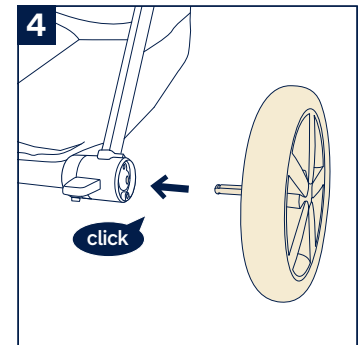
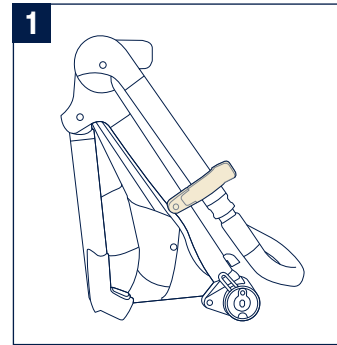
Open Stroller

- 1 - Separate the storage latch from the storage mount.
- 2 - Open the stroller frame.
- 3 - A “click” sound means the stroller frame is open completely.

Check the stroller frame is completely latched open before continuing.

Rear Wheels

- 4- Insert the rear wheel into the rear leg. A “click” sound means the rear wheel is assembled completely.
Check the wheel is securely attached by pulling out.
Repeat on opposite side.
- 5 - To remove the rear wheel, press the release button (1) and detach the rear wheel from the rear leg (2).



Front Wheels

1 - Insert the front wheel into the front leg. A “click” sound means the wheel is assembled completely.

Check the wheel is securely attached by pulling out.

Repeat on opposite side.

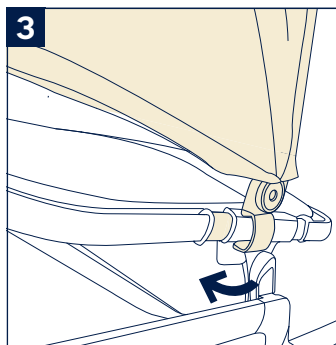
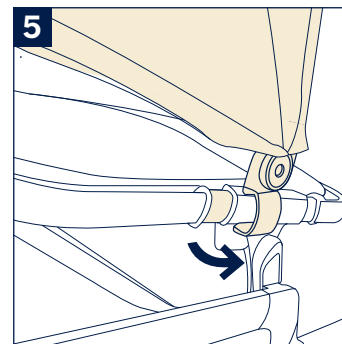
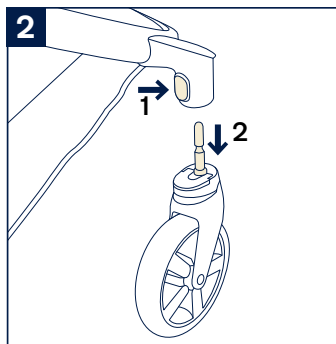
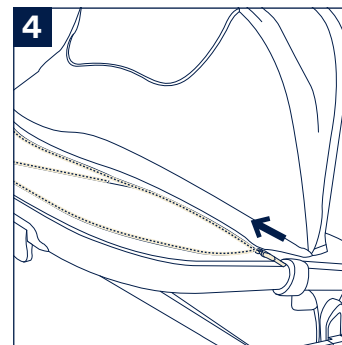
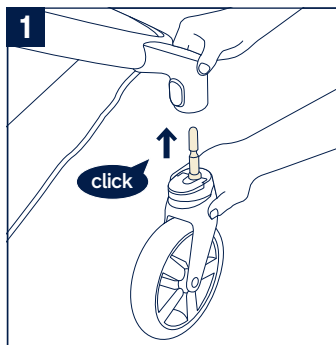
2 - To remove the front wheel, press the release button **(1)** and detach the front wheel from the front leg **(2)**.

Canopy

3 - Clip the canopy mount onto the stroller/sibling seat on each side.

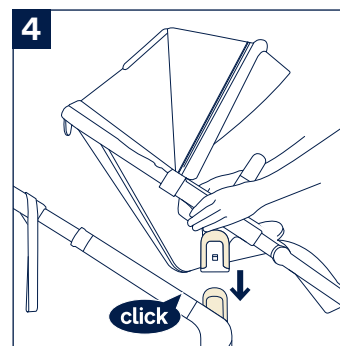
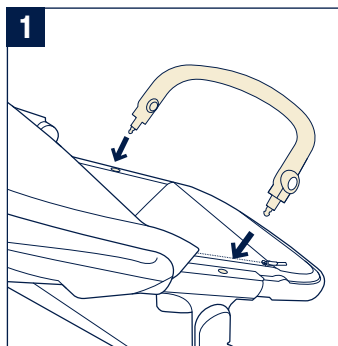
4 - Zip the canopy to the stroller/sibling seat.

5 - To remove the canopy, unzip the zippers, then remove the canopy mounts.



Arm Bar

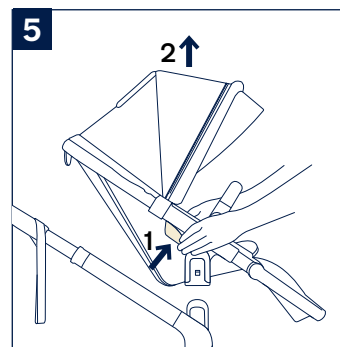
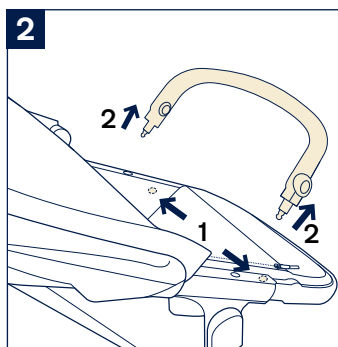
- 1 - Align the arm bar ends with the arm bar mounts, and insert until it clicks into place. A “click” sound means the arm bar is assembled completely.
 - 2 - To remove the arm bar, press the arm bar release buttons (1) located under seat pad, and remove the arm bar. (2)
 - 3 - For a more compact fold, press the armbar adjustment buttons (1) and rotate the armbar down (2) until it clicks into place.
- ! Only use the down/stored position for folding.
NEVER use this position with child in stroller.



Stroller/Sibling Seat

The stroller/sibling seat can be attached rear or forward facing.

- 4 - Align the sides of the stroller/sibling seat with the seat mounts. Place the stroller/sibling seat directly down until it clicks into place. A “click” sound means the stroller/sibling seat is assembled completely.
- 5 - To remove the stroller/sibling seat, squeeze the seat release buttons (1) and lift the stroller/sibling seat up (2).

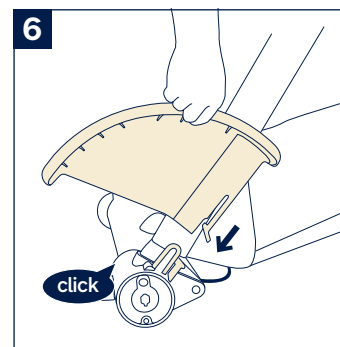
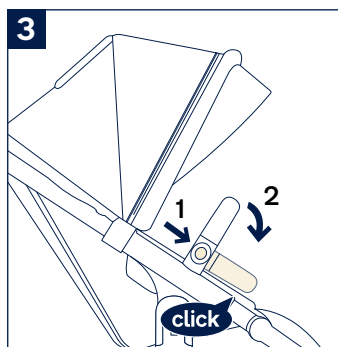


Rear Fenders

Attach the rear fenders for twin and double modes.

For easier assembly, remove the rear wheels.

- 6 - Insert the rear fender into the rear leg. A “click” sound means the fender is assembled completely. Check the fender is securely attached by pulling up. Repeat on opposite side and reattach rear wheels.



Check Set Up

- Stroller frame is latched open
- Rear and front wheels securely attached
- Canopy mount attached to stroller frame and canopy zipped to seat pad
- Stroller/sibling seat securely attached
- Rear fenders securely attached for twin/double mode

Product Use

! The parking brake **MUST** be engaged when the pram/stroller is stopped and when placing and removing child.

Securing Your Child

- 1 - Push the center button on the buckle to release the buckle latch, remove the clips and place your child in the stroller.
- 2 - Connect the shoulder buckle and hip buckle.
- 3 - Secure the shoulder buckle and hip buckle to the buckle latch and repeat on the opposite side.
- 4 - Fit the harness snugly to your child by pulling the adjustment straps to tighten (1). Then pull the waist adjustment straps out (2).

Shoulder Harness Position

- 5 - The upper shoulder harness buckles can be moved up and down for added adjustment.

! To avoid serious injury from falling or sliding out, always secure your child with the harness.

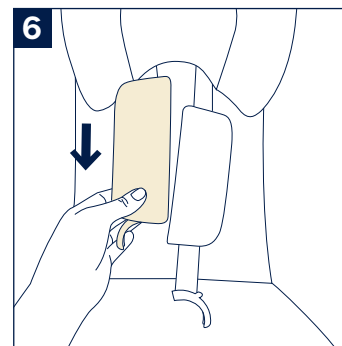
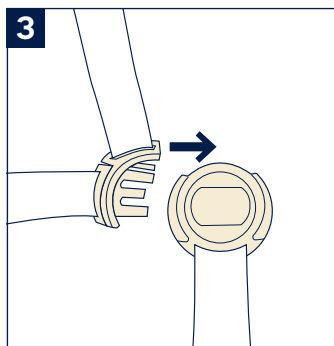
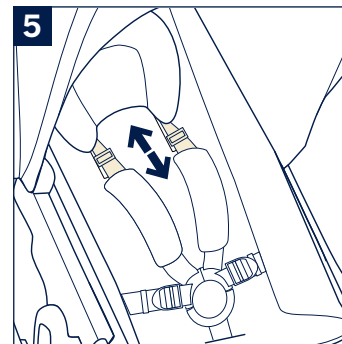
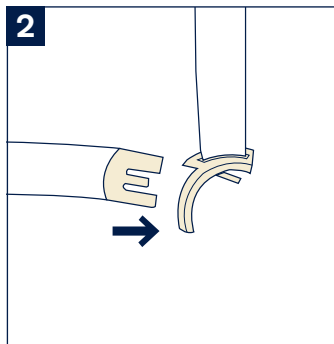
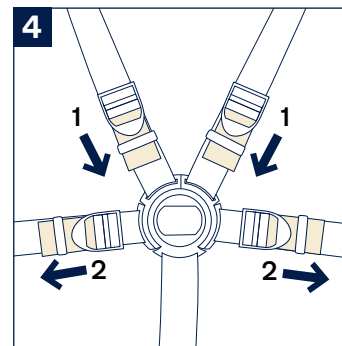
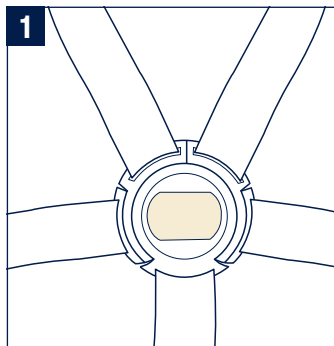
Make sure the harness is adjusted properly and your child is snugly secured. The space between the child and the shoulder harness should be about the thickness of one finger. **DO NOT** cross the shoulder belts. This will cause pressure on your child's neck.

Shoulder Harness Pad Removal

To remove the shoulder harness pads, release the buckle.

- 6 - Slide the shoulder harness pad down off the shoulder buckle harness strap.

To reattach the shoulder harness pad, undo the snaps and insert the shoulder harness buckle through the inside loop.



Canopy

- 1 - To open the canopy, pull the canopy toward the front of the seat, and to close the canopy, push it back.
- 2 - Open the zipper (1) on the canopy to use the dream drape™.
- 3 - Pull down on the dream drape™ for extra shade.
- 4 - For added ventilation, flip the canopy window cover up.

Handle

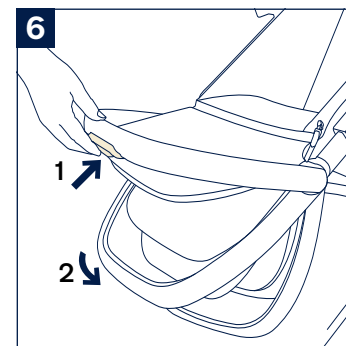
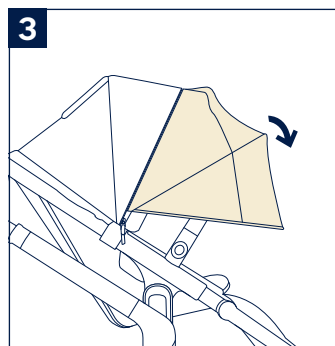
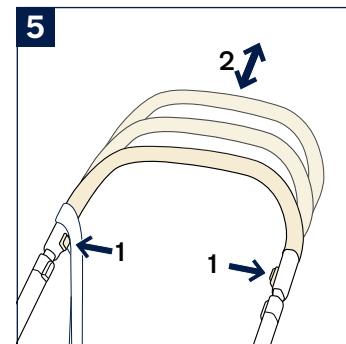
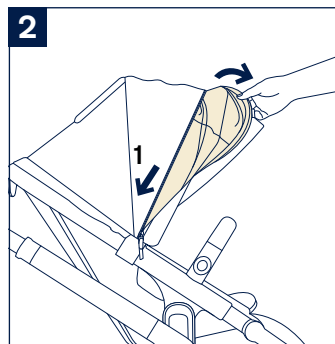
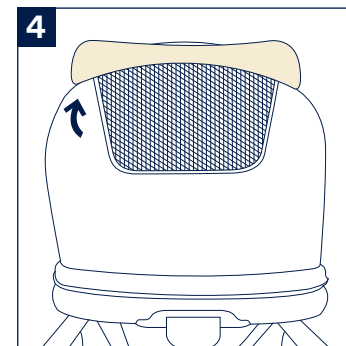
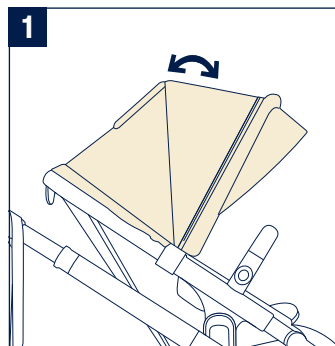
The handle has 3 positions.

- 5 - To adjust the height of the handle, press the handle adjustment button (1) and pull the handle up or down (2).

Calf Support

The calf support has 2 use positions.

- 6 - To raise the calf support, lift up. To lower the calf support, press the adjustment button in the middle of the calf support (1), and push down (2).



Recline

- 1 - There are 3 recline positions for the backrest.
- 2 - To raise or lower the backrest, squeeze the recline adjustment button, and pull the seat up or down.

Seat Pad

Use the winter seat pad in cold weather to provide a comfortable seating area. The winter seat pad can be removed to provide a mesh seating area for better ventilation during hot weather.

- 3 - To remove the seat pad, unbuckle the harness, open the zipper around the seat pad and route the harness through the seat pad slots.

! DO NOT remove the backrest tube.

Brake

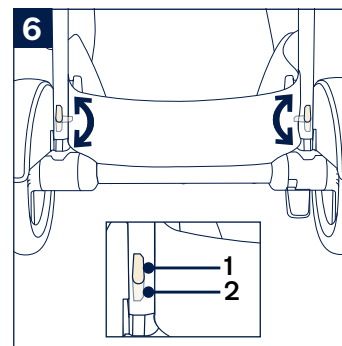
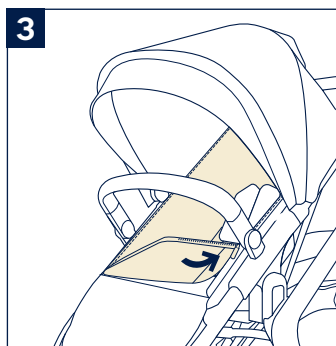
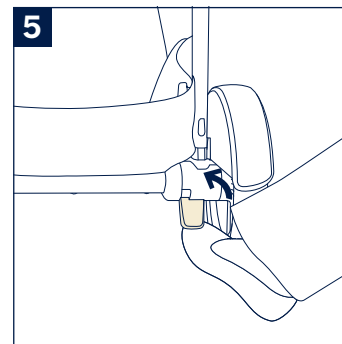
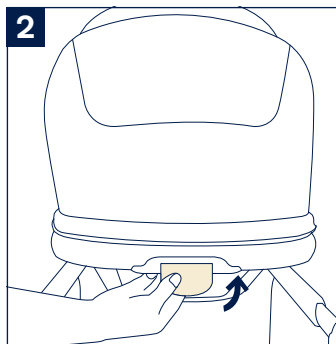
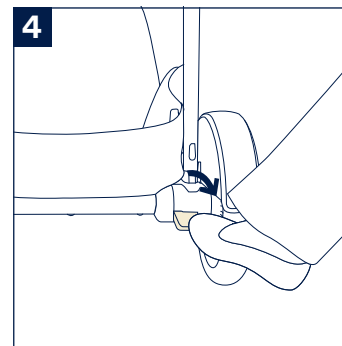
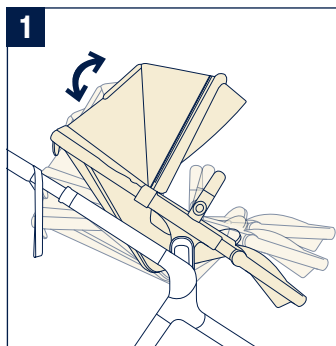
- 4 - To lock the rear wheels, step down on the brake lever.
 - 5 - To unlock the rear wheels, lift up on the brake lever.
- ! Always apply the brake when the pram/stroller is stopped.
Push the stroller slightly to ensure the brake is engaged.

Custom Dual Suspension™

The stroller has two suspension modes. Make sure there is no weight placed on the stroller when you are adjusting the suspension and that both adjustment levers are in the same position.

- 6 - Flip the adjustment levers up (1) when on rough terrain for a softer suspension and flip the adjustment levers down (2) when on smooth surfaces for a stiffer suspension.

When using as a double or twin, it is recommended to flip the adjustment levers down.



Front Swivel Locks

It is recommended to use the front swivel locks on uneven surfaces.

- 1 - Pull the front swivel lock out to lock front wheel forward facing.
- 2 - Push the front swivel lock in to unlock.

Use Tether Strap

- 3 - Use the tether strap to prevent the stroller inadvertently rolling away. Check that when your hand is through the loop, it allows you to easily control the stroller.

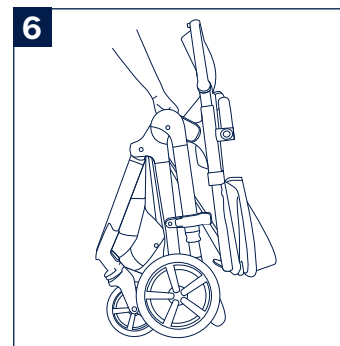
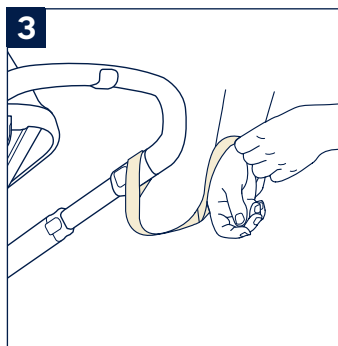
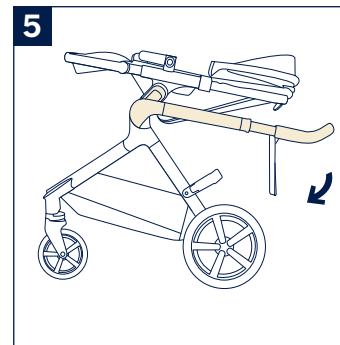
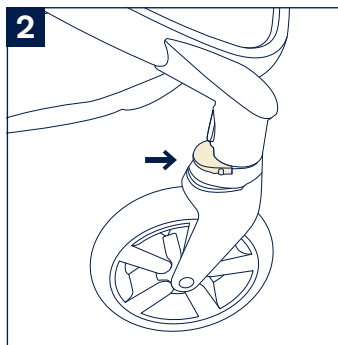
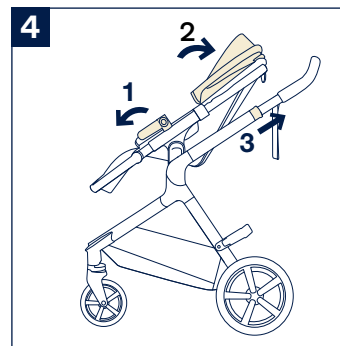
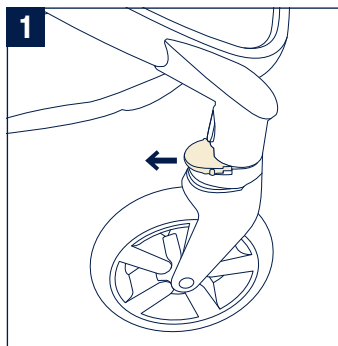
Fold

Before folding the stroller, adjust the handle to the 2nd or 3rd highest position and make sure the front swivel locks are unlocked.

The stroller can be folded with the stroller/sibling seat facing forward or without the stroller/sibling seat.

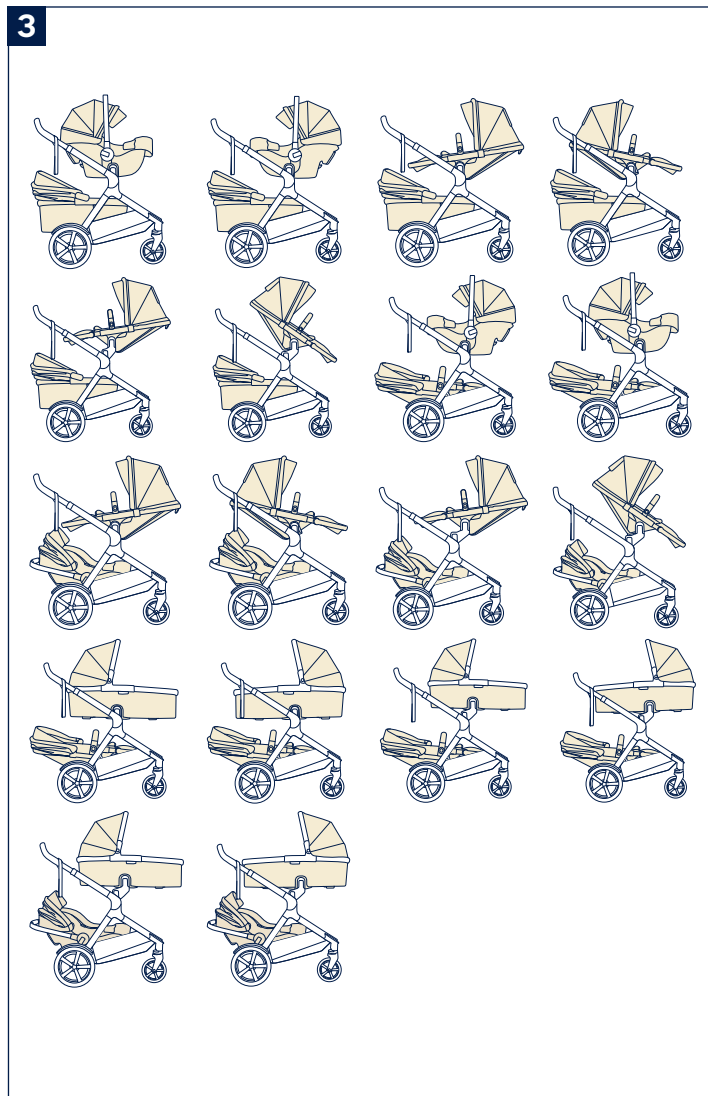
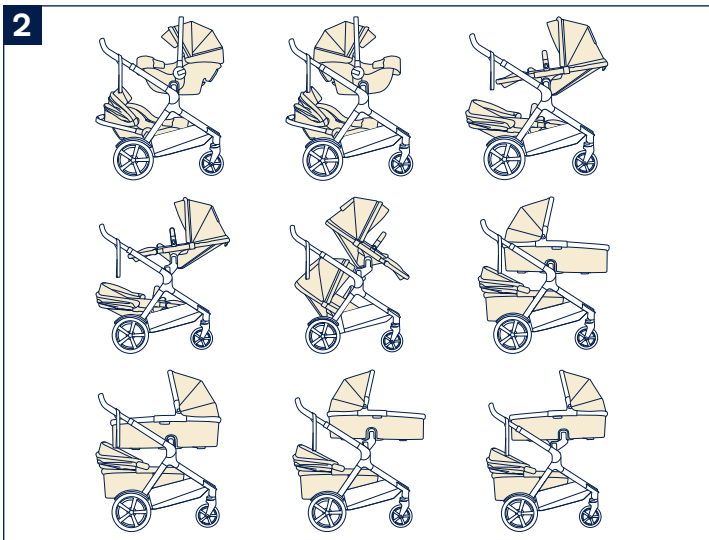
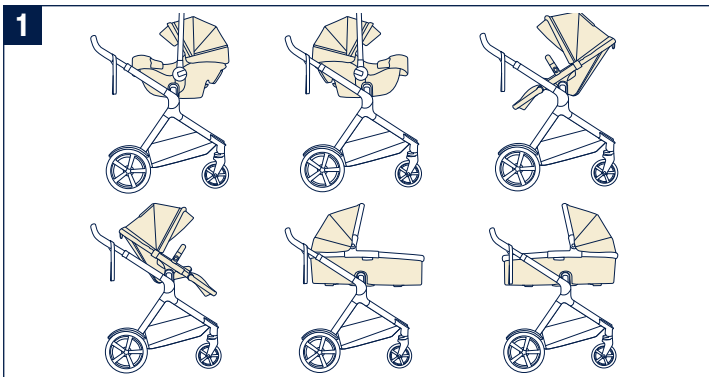
If folding with the seat, place the seat in the most reclined position for a more compact fold.

- 4 - Fold the armbar (1) and canopy (2), and lift both folding buttons (3).
- 5 - The storage latch will engage automatically when the stroller is completely folded.
- 6 - You can carry the stroller with ease by lifting the carry handle.
! Ensure the storage latch is engaged when lifting or carrying the stroller.



Seating Options

The DEMI grow stroller frame can be used with the KLIK plus infant carrier (using included adaptors), bassinet and stroller/sibling seat in the following combinations. Single (1), twin (2), double (3)



Seating Option Use

When using the stroller frame with the stroller/sibling seat, bassinet or infant carrier, close the canopy when the stroller/sibling seat, bassinet or infant carrier is assembled on the lower mount.

! Not all accessories are included on some models and not all modes are allowed.

1 - DO NOT use the stroller/sibling seat **(1)**, bassinet **(2)** or infant carrier **(3)** rear facing on the lower mount.

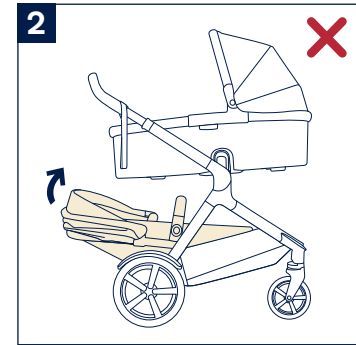
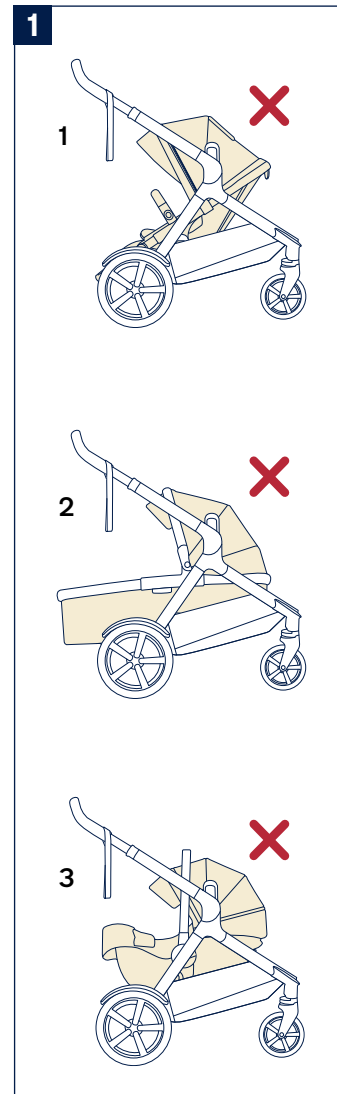
2 - DO NOT adjust the backrest of the stroller/sibling seat up, when it is assembled on the lower mount and the bassinet is assembled on the upper mount.

3 - DO NOT assemble the infant carrier on the lower mount when the bassinet is rear facing on the upper mount without the use of the Seat & Bassinet Post Adaptors.

! The bassinet can be assembled on the upper mount with seat & bassinet post adaptors when the infant carrier is assembled on the lower mount

4 - DO NOT adjust the infant carrier handle to the vertical position when the infant carrier is assembled on the lower mount.

! Please use Seat & Bassinet Post Adaptors (Part List#5) on upper mount when using sibling seat on the upper mount and lower mount simultaneously and both with front facing mode.



Accessories

! Not all accessories are included on some models.

DEMI grow Stroller/Sibling Seat

When installing the stroller/sibling seat on the lower mount, close the canopy, adjust the calf support to its highest position, and fold the stroller basket rear panel forward.

1 - To attach stroller/sibling seat, align the sides of the stroller/sibling seat with the seat mounts.

Place the stroller/sibling seat directly down until it clicks into place. A “click” sound means the stroller/sibling seat is attached.

! Remove the stroller/sibling seat from the lower mount before folding the stroller.

! Please use seat & bassinet post adaptors on upper mount when using the upper mount and lower mount simultaneously and both with front facing mode.

DEMI grow Stroller/Sibling Seat Rain Cover

Only use the stroller/sibling seat rain cover in the upper mount.

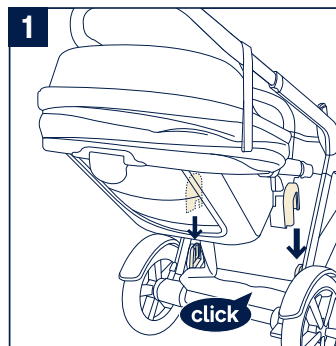
2 - To assemble the rain cover, place it over the stroller/sibling seat.

! **ALWAYS** check ventilation, when the rain cover is on the product.

ALWAYS check that the rain cover has been cleaned and dried before folding.

DO NOT fold the stroller assembled with the rain cover.

DO NOT place your child into the stroller assembled with rain cover during hot weather.



DEMI grow Bassinet

For bassinet assembly and usage, please refer to the bassinet instruction manual.

When installing the bassinet on the lower mount, close the canopy.

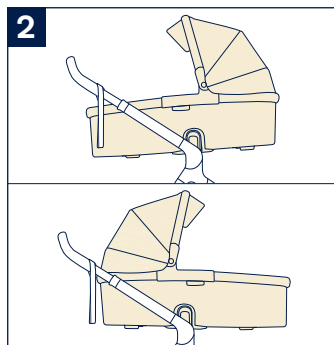
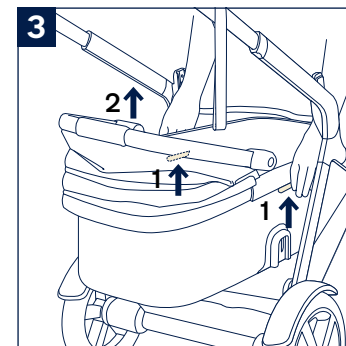
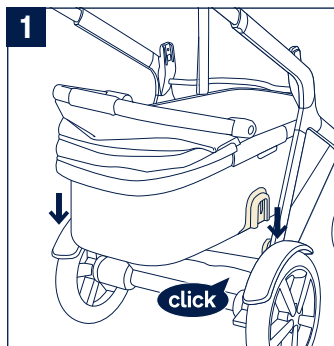
- 1** - To attach the bassinet, align the sides of the bassinet with the seat mounts.
Place the bassinet directly down until it clicks into place. A “click” sound means the bassinet is attached.

- 2** - The bassinet can be installed rear or forward facing in the upper mount.

! When bassinet is installed on the upper mount, make sure the canopy is pulled forward and the handle is locked.

- 3** - To remove the bassinet, press the bassinet release buttons **(1)** and lift up **(2)**.

! Remove the bassinet before folding the stroller.

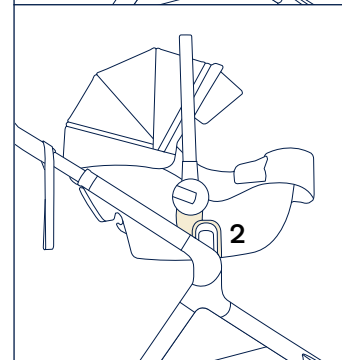
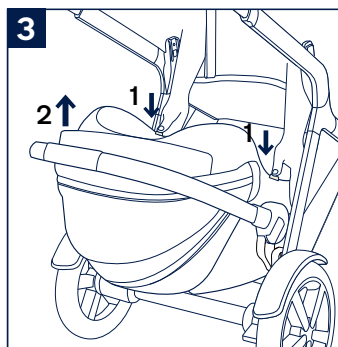
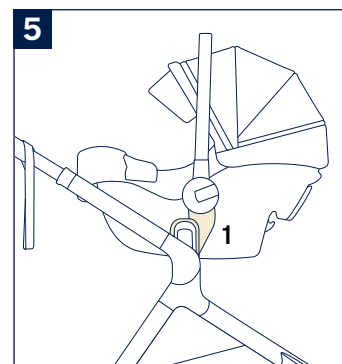
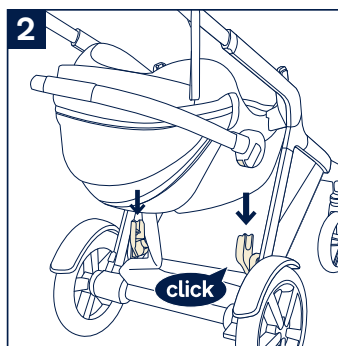
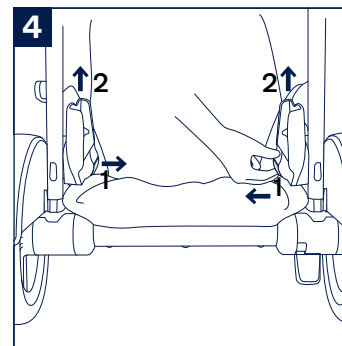
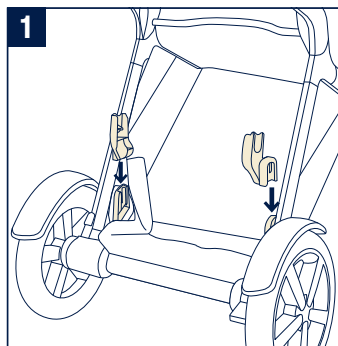


DEMI grow Car Seat Post Adaptors

For infant carrier assembly and usage, please refer to the infant carrier instruction manual. Adaptors are suitable for the KLIK plus infant carrier.

When installing the infant carrier in the lower mount, close the canopy.

- 1 - To attach the car seat post adaptors, place the car seat post adaptors on the seat mounts. A “click” sound means the car seat post adaptors are attached.
 - 2 - To attach the infant carrier, place the infant carrier on the car seat post adaptors. A “click” sound means the infant carrier is attached.
 - 3 - To remove the infant carrier, push the stroller release buttons on the infant carrier (1) and lift up (2).
 - 4 - To remove the car seat post adaptors, pull the adaptor release buttons (1) and lift up (2).
 - 5 - The car seat post adaptors and infant carrier can be attached rear facing (1) or forward facing (2) in the upper mount.
- ! Remove the infant carrier before folding.



DEMI grow Seat & Bassinet Post Adaptors

! Only be able to assemble the seat & bassinet post adaptors on the upper mount.

! Please use seat & bassinet post adaptors on upper mount when using the upper mount and lower mount simultaneously and both with front facing mode.

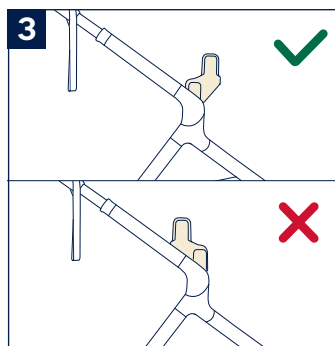
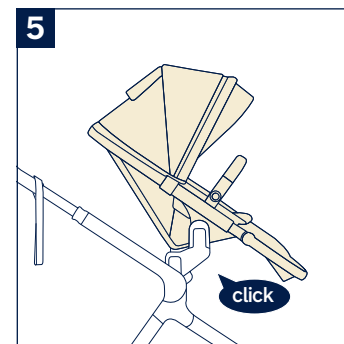
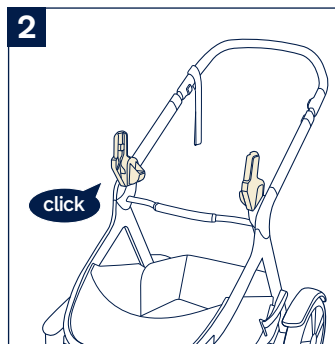
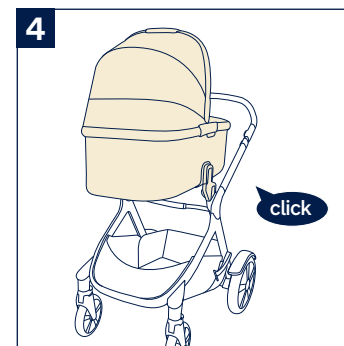
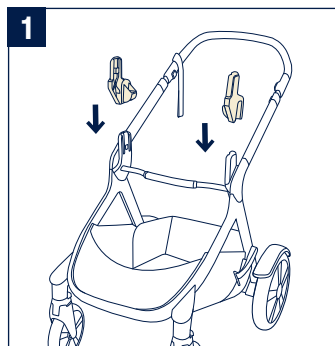
1 - To attach seat & bassinet post adaptors, place them onto mounts as shown (1). A “click” sound means the seat & bassinet post adaptors are locked. (2)

! The correct use of seat & bassinet post adaptors are shown as (3).

2 - To attach bassinet to the seat & bassinet post adaptors, place bassinet onto seat & bassinet post adaptors. A “click” sound means the bassinet is locked. (4)

! Please do not use bassinet on the upper seat when the seat back of lower seat is in vertical position.

3 - To attach seat to the seat & bassinet post adaptors, place seat onto seat & bassinet post adaptors. A “click” sound means the seat is locked. (5)

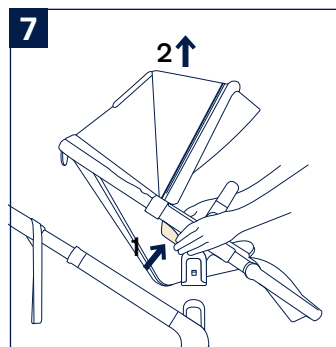
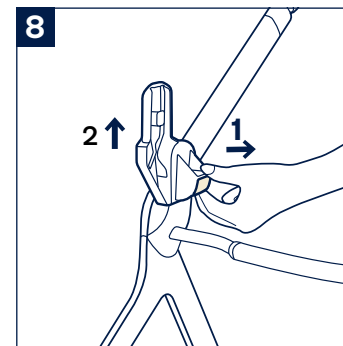
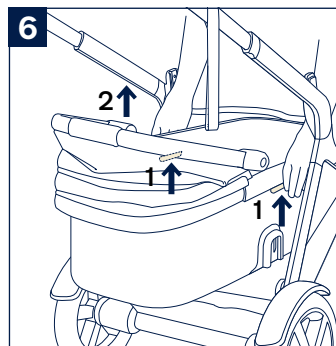


4 - To remove bassinet, press the bassinet release buttons **(6)-1** and lift up **(6)-2**.

5 - To remove the seat, squeeze the seat release buttons **(7)-1** and lift the seat up **(7)-2**.

6 - To remove seat & bassinet post adaptors, lift the seat & bassinet post adaptors upwards **(8)-2** while pulling the release buttons. **(8)-1**

! Remove the seat & bassinet before folding.



Cleaning and Maintenance

Clean the frame, plastic parts, and fabric with a damp cloth, but do not use abrasives or bleach. Do not use silicon lubricants as they will attract dirt and grime. Do not store your stroller in a damp place.

Clean the stroller wheels regularly with water and remove any dirt.

To ensure long-lasting use, wipe off this product with a soft, absorbent cloth after using it in rainy weather.

Refer to the care label attached to the fabric for washing and drying instructions.

It is normal for fabric to color from sunlight and to show wear and tear after a long period of use, even when used normally.

For reasons of safety, only use original NUNA parts.

Check regularly if everything functions properly. If any parts are torn, broken, or missing, stop using this product.

IMG-0093C

nuna®

Find out more at nunababy.com