

# mixx™ bassinet



nuna®

**IMPORTANT –  
Read the instructions  
carefully before use and  
keep for future reference.**

*Designed*  
**around your life**

## **Contents**

<b>Product Information</b>	<b>3</b>
Warranty	
Contact	
<b>Child Usage Requirements</b>	<b>4</b>
<b>Warning</b>	<b>5</b>
<b>Parts List</b>	<b>8</b>
<b>Product Set Up</b>	<b>9</b>
<b>Product Use</b>	<b>15</b>
<b>Cleaning and Maintenance</b>	<b>17</b>



# Product Information

**Model Number:** \_\_\_\_\_

**Manufactured Date:** \_\_\_\_\_

The model number and the manufactured date are located on a label on the mattress board inside the bassinet, under the soft goods.

## Warranty

Our goods come with guarantees that cannot be excluded under the Australian Consumer Law. You are entitled to a replacement or refund for a major failure and compensation for any other reasonably foreseeable loss or damage. You are also entitled to have the goods repaired or replaced if the goods fail to be of acceptable quality and the failure does not amount to a major failure.

We have purposely designed our high-quality products so that they can grow with both your child and your family. Because we stand by our product, our gear is covered by a custom warranty per product, starting from the day it was purchased. Please have the proof of purchase, model number and manufactured in date available when you contact us.

**For warranty information please visit:**  
[www.nunababy.com](http://www.nunababy.com)

## Contact

For replacement parts, service, or additional warranty questions, please contact our customer service department.

### **Nuna Baby Australia Pty. Ltd.**

82 Bellingara Road  
Miranda NSW 2228  
Ph: 02 8543 5570

### **Distributed in Australia by**

Nuna Baby Australia Pty. Ltd.  
82 Bellingara Road  
Miranda NSW 2228  
Ph: 02 8543 5570

[info@nunababy.com](mailto:info@nunababy.com)  
[www.nunababy.com](http://www.nunababy.com)

### **In the United Kingdom:**

[infouk@nunababy.com](mailto:infouk@nunababy.com)  
[www.nunababy.com](http://www.nunababy.com)

### **NUNA International B.V.**

Van der Valk Boumanweg 178 C  
2352JD Leiderdorp  
The Netherlands

## Child Usage Requirements

This bassinet is suitable for use with children who meet the following requirements:

**Weight:** Up to 9 kg

# **WARNING**

Failure to follow these warnings and the instructions could result in serious injury or death.

Any damage caused by the use of accessories not supplied by Nuna will not be covered in terms of warranty.

A child's safety is your responsibility.

Be aware of the risk of open fire or other source of strong heat, such as electric bar fires, gas fires, etc., in the near vicinity of bassinet.

Before carrying or lifting, make sure that the handle is in the correct position of use.

Check that the attachment devices are correctly engaged before use.

Ensure that all the locking devices are engaged before use.

Keep small parts away from children as they pose a choking hazard.

Only use on a firm, horizontal level and dry surface.

Overloading, incorrect folding, and the use of accessories e.g. child seats, bag hooks, rain covers, buggy boards, etc... other than those approved by Nuna may damage or make bassinet unsafe.

The bassinet is **NOT** to be used for long term sleeping.

The bassinet is not suitable for running or skating.

The bassinet is only suitable for a child who cannot sit up unaided, roll over and cannot push itself up on its hands and knees. Maximum weight of the child: 9kg.

The handle and the bottom should be inspected regularly for signs of damage and wear.

The head of the child in the bassinet should never be lower than the body.

To avoid any danger of suffocation, remove all plastic covers before using this item and destroy or keep away from babies and children.

To avoid injury ensure that your child is kept away when unfolding and folding the bassinet.

**DO NOT** leave the child unattended.

**DO NOT** store the bassinet in a damp place. Always allow the fabric to dry naturally away from direct heat.

**DO NOT** carry additional children, goods, accessories in or on the bassinet except as permitted in this leaflet. They may cause the bassinet to become unstable.

**DO NOT** use or add any mattress other than the one supplied with the bassinet by Nuna.

**DO NOT** add another mattress on top of the mattress provided or recommended by the manufacturers.

**DO NOT** let the child play with the bassinet.

**DO NOT** use the bassinet if any part of the bassinet is broken, torn or missing.

**DO NOT** let other children play unattended near the bassinet.

**DO NOT** place the bassinet near an open fire or other source of strong heat.

**NEVER** use the bassinet on a stand.

**NEVER** place the child with their head at the foot end of the bassinet.

**NEVER** leave a child in the bassinet when ascending or descending stairs or escalators, or when traveling on other forms of transport.

**NEVER** carry more than one child at a time in the bassinet. **USE** original Nuna parts and accessories only.

**USE ONLY** replacement parts supplied or approved by Nuna.

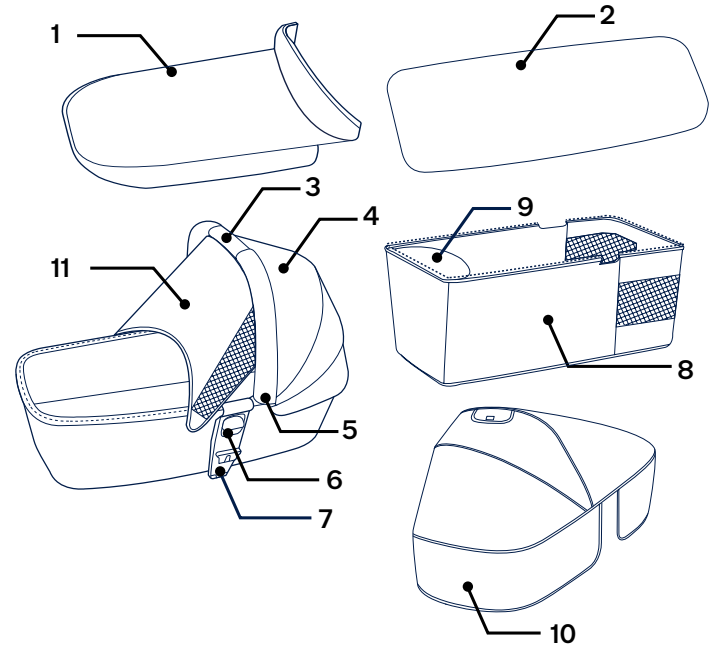
Any load attached to the handle or canopy affects the stability of the bassinet.

**DO NOT USE THIS BASSINET ONCE THE CHILD CAN SIT UP UNAIDED.**

## Parts List

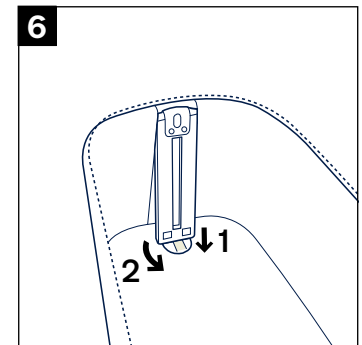
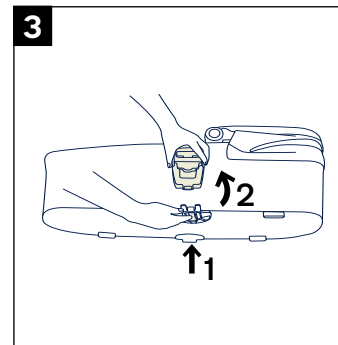
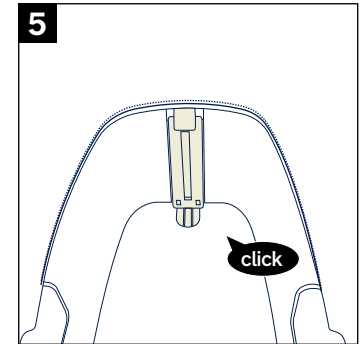
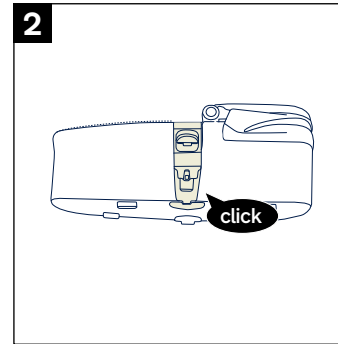
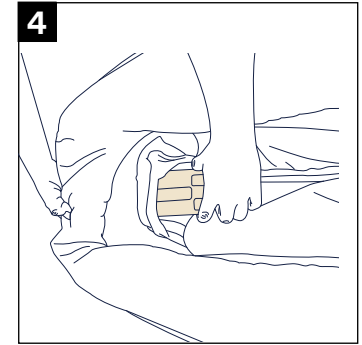
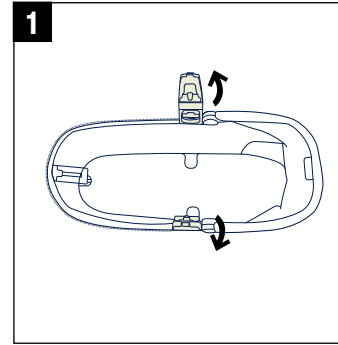
Make sure all parts are available before assembly. If any part is missing, please contact local retailer. No tools are required for assembly.

- |   |                          |    |   |
|---|--------------------------|----|---|
| 1 | Bassinet Cover           | 7  | Attachment Mount                            |
| 2 | Mattress Pad             | 8  | Bassinet Lining                             |
| 3 | Handle                   | 9  | Storage compartment (maximum load = 1.3 kg) |
| 4 | Canopy                   | 10 | Rain Cover                                  |
| 5 | Handle Adjustment Button | 11 | Dream Drape™                                |
| 6 | Bassinet Release Button  |    |   |



# Product Set Up

- 1 - Remove the mattress pad and rotate the attachment mounts out from the center of the bassinet.
- 2 - Rotate the attachment mounts down the side of the bassinet on both sides until they click into the latch. A "click" sound means they are securely attached.
- 3 - To disassemble the bassinet, push the button on the latch on the underside of the bassinet and pull the attachment mount out.
- 4 - Holding the top rail of the foot end, push the support mount back to raise the end of the bassinet.
- 5 - Rotate the support mount down towards the latch at the bottom of the bassinet and push it into the latch. A "click" sound means it is securely attached. Repeat on the canopy end of the bassinet.
- 6 - To fold, push button on the latch and pull support mount out.

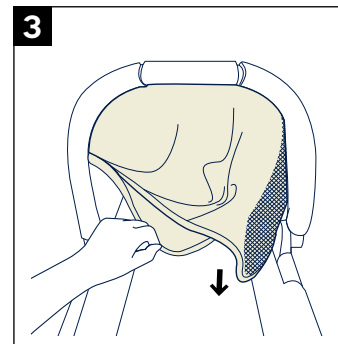
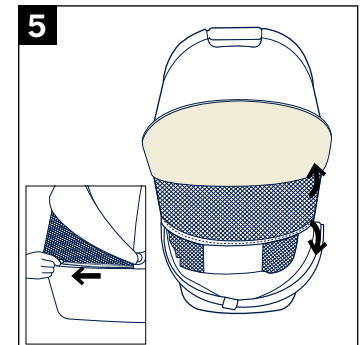
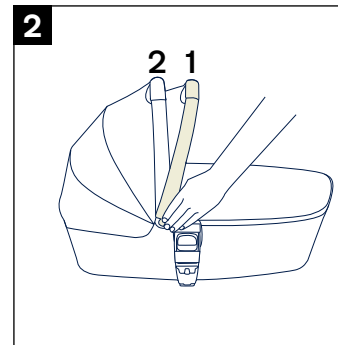
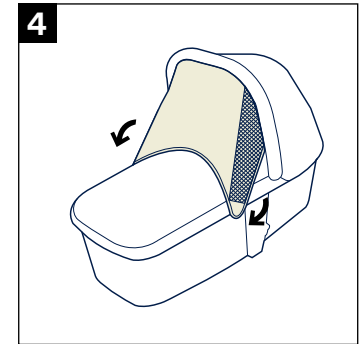
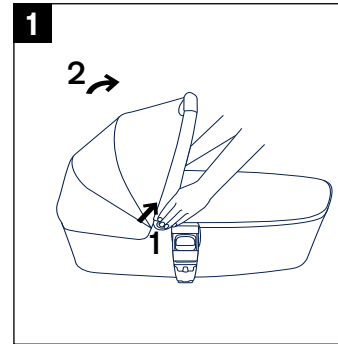


## Canopy

- 1 - To open the canopy, press the canopy folding buttons simultaneously on both sides (1) and rotate the canopy up (2). A "click" sound means the canopy is secure.
- 2 - The handle will stop in the convenience position for accessing child (2). To lift the bassinet by handle, be sure the handle is locked in the fully extended position (1).

## Dream Drape™

- 3 - Pull out the dream drape from underneath the flap under the canopy.
- 4 - Attach the magnets on the corners of the dream drape to the side rails of the bassinet.
- 5 - For more ventilation, unfold the top panel on the rear of the canopy and the rear panel of bassinet.





## Bassinet Liner

1 - Place the bassinet liner in the frame.

2 - Zip the zipper.

## Mattress Pad

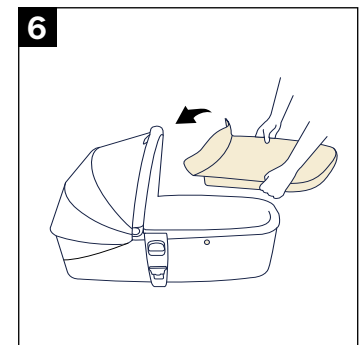
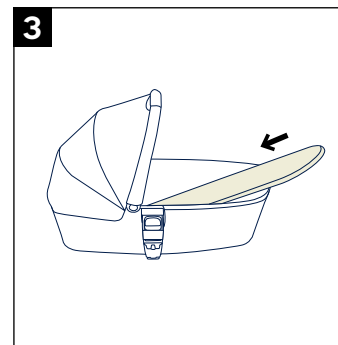
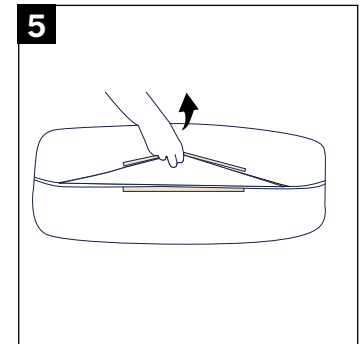
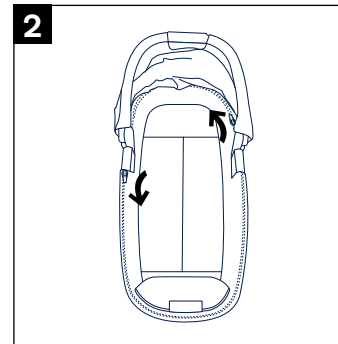
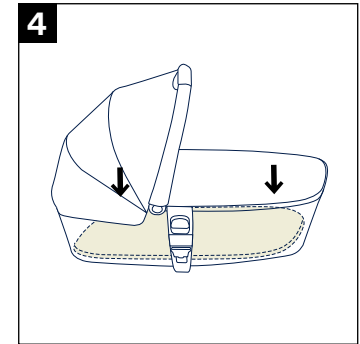
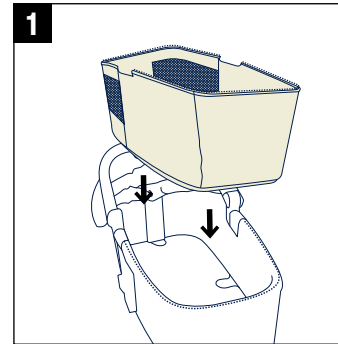
3 - Insert the mattress pad into the bassinet so that the opening seam on the mattress pad is on the bottom.

4 - Mattress pad should be completely flush with the bottom of the bassinet.

5 - To wash the mattress cover, unfasten the hook and loop strips on the bottom of the mattress pad and remove it. Machine wash. Line dry only. **DO NOT** wash the mattress pad.

## Bassinet Cover

6 - Fasten the bassinet cover with the magnets to the sides of the bassinet.



# Product Use

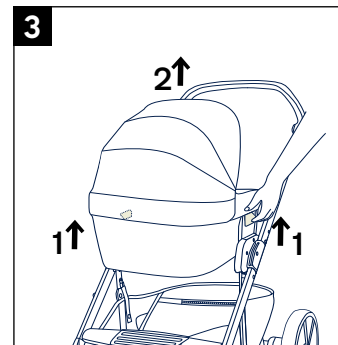
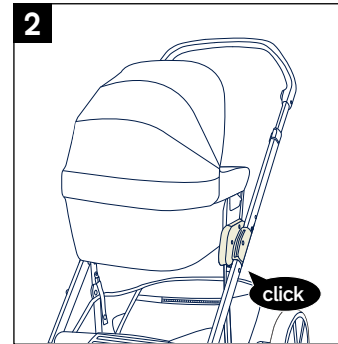
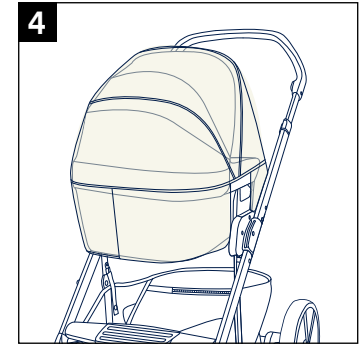
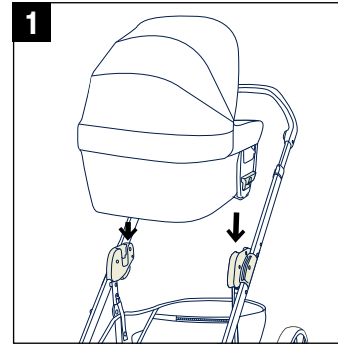
## Bassinet Attachment on Stroller Frame

The bassinet can be used with the MIXX series strollers.

- 1 - Line up the mounts on the side of the bassinet with the stroller mounts.
  - 2 - Attach to the MIXX series stroller mounts by inserting the attachment mounts onto both sides of the stroller. A "click" means the bassinet is secure.
- ! **ALWAYS** remove the stroller seat before using the bassinet.
  - ! **DO NOT** fold the stroller when the bassinet is attached.
- 3 - To remove the bassinet from the MIXX series stroller, press the release buttons on both sides of bassinet (1) while lifting it up (2).

## Rain Cover

- 4 - To use the rain cover, place it over the bassinet and attach the hook and loop fasteners on the front of rain cover.
- ! **ALWAYS** check ventilation when rain cover is on the product, especially in hot weather.
  - ! **MAKE SURE** rain cover has been cleaned and dried before storing.



# Cleaning and Maintenance

Clean the frame, plastic parts, and fabric with a damp cloth, but do not use abrasives or bleach. Do not use silicon lubricants as they will attract dirt and grime. Do not store the bassinet in a damp place.

To ensure long-lasting use, wipe this product off with a soft, absorbent cloth after using it in rainy weather and before storing away.

Refer to the care labels attached to the soft goods for washing and drying instructions.

It is normal for fabric to color from sunlight and to show wear and tear after a long period of use, even when used normally.

For reasons of safety, only use original Nuna parts.

Check regularly if everything functions properly. If any parts are torn, broken, or missing, stop using this product.